

Practice Your Conversion Skills

I can convert from one metric unit to another.

Length

- a. $5\text{km} = \underline{\hspace{2cm}}\text{m}$
- b. $2.95\text{km} = \underline{\hspace{2cm}}\text{m}$
- c. $7.33\text{m} = \underline{\hspace{2cm}}\text{cm}$
- d. $7\text{cm} = \underline{\hspace{2cm}}\text{mm}$
- e. $5.6\text{cm} = \underline{\hspace{2cm}}\text{mm}$
- f. $4500\text{m} = \underline{\hspace{2cm}}\text{km}$
- g. $80\text{mm} = \underline{\hspace{2cm}}\text{cm}$
- h. $95\text{mm} = \underline{\hspace{2cm}}\text{cm}$

Mass

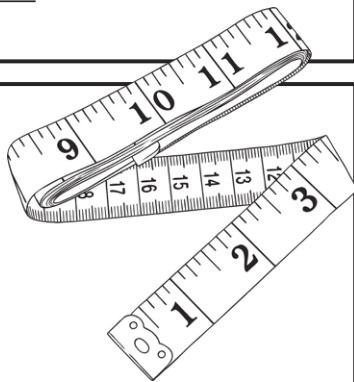
- a. $4\text{kg} = \underline{\hspace{2cm}}\text{g}$
- b. $8\text{kg} = \underline{\hspace{2cm}}\text{g}$
- c. $2.134\text{kg} = \underline{\hspace{2cm}}\text{g}$
- d. $5.3\text{kg} = \underline{\hspace{2cm}}\text{g}$
- e. $2000\text{g} = \underline{\hspace{2cm}}\text{kg}$
- f. $5500\text{g} = \underline{\hspace{2cm}}\text{kg}$
- g. $3355\text{g} = \underline{\hspace{2cm}}\text{kg}$
- h. $2219\text{g} = \underline{\hspace{2cm}}\text{kg}$

Volume

- a. $8\text{l} = \underline{\hspace{2cm}}\text{ml}$
- b. $9\text{l} = \underline{\hspace{2cm}}\text{ml}$
- c. $4.455\text{l} = \underline{\hspace{2cm}}\text{ml}$
- d. $4.9\text{l} = \underline{\hspace{2cm}}\text{ml}$
- e. $7000\text{ml} = \underline{\hspace{2cm}}\text{l}$
- f. $8600\text{ml} = \underline{\hspace{2cm}}\text{l}$
- g. $6235\text{ml} = \underline{\hspace{2cm}}\text{l}$
- h. $4325\text{ml} = \underline{\hspace{2cm}}\text{l}$

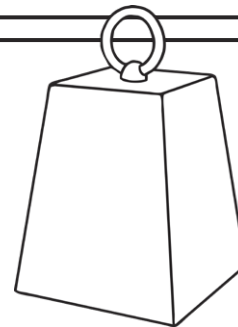
Conversions:

- $1\text{km} = 1000\text{m}$
- $1\text{m} = 100\text{cm}$
- $1\text{cm} = 10\text{mm}$



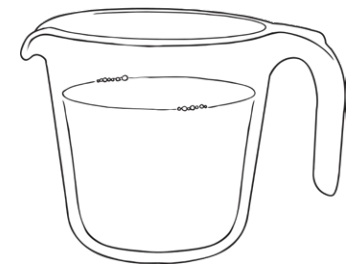
Conversion:

- $1\text{kg} = 1000\text{g}$



Conversion:

- $1\text{l} = 1000\text{ml}$





Practice Your Conversion Skills Answers

Length

- a. $5\text{km} = 5000\text{m}$
- b. $2.95\text{km} = 2950\text{m}$
- c. $7.33\text{m} = 733\text{cm}$
- d. $7\text{cm} = 70\text{mm}$
- e. $5.6\text{cm} = 56\text{mm}$
- f. $4500\text{m} = 4.5\text{km}$
- g. $80\text{mm} = 8\text{cm}$
- h. $95\text{mm} = 9.5\text{cm}$

Mass

- a. $4\text{kg} = 4000\text{g}$
- b. $8\text{kg} = 8000\text{g}$
- c. $2.134\text{kg} = 2134\text{g}$
- d. $5.3\text{kg} = 5300\text{g}$
- e. $2000\text{g} = 2\text{kg}$
- f. $5500\text{g} = 5.5\text{kg}$
- g. $3355\text{g} = 3.355\text{kg}$
- h. $2219\text{g} = 2.219\text{kg}$

Volume

- a. $8\text{l} = 8000\text{ml}$
- b. $9\text{l} = 9000\text{ml}$
- c. $4.455\text{l} = 4455\text{ml}$
- d. $4.9\text{l} = 4900\text{ml}$
- e. $7000\text{ml} = 7\text{l}$
- f. $8600\text{ml} = 8.6\text{l}$
- g. $6235\text{ml} = 6.235\text{l}$
- h. $4325\text{ml} = 4.325\text{l}$

Practice Your Conversion Skills

I can convert from one metric unit to another.

Length

- a. $7.824\text{km} = \underline{\hspace{2cm}}\text{m}$
- b. $6.34\text{km} = \underline{\hspace{2cm}}\text{m}$
- c. $9.01\text{m} = \underline{\hspace{2cm}}\text{cm}$
- d. $7.8\text{cm} = \underline{\hspace{2cm}}\text{mm}$
- e. $6500\text{m} = \underline{\hspace{2cm}}\text{km}$
- f. $375\text{cm} = \underline{\hspace{2cm}}\text{m}$
- g. $30\text{cm} = \underline{\hspace{2cm}}\text{m}$
- h. $88\text{mm} = \underline{\hspace{2cm}}\text{cm}$

Mass

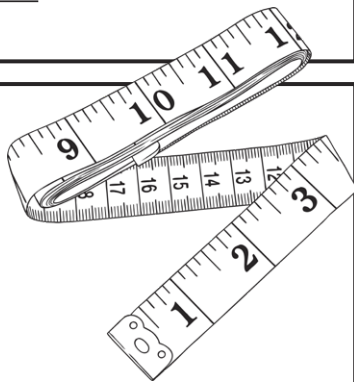
- a. $5.56\text{kg} = \underline{\hspace{2cm}}\text{g}$
- b. $8.987\text{kg} = \underline{\hspace{2cm}}\text{g}$
- c. $5.15\text{kg} = \underline{\hspace{2cm}}\text{g}$
- d. $9.9\text{kg} = \underline{\hspace{2cm}}\text{g}$
- e. $1670\text{g} = \underline{\hspace{2cm}}\text{kg}$
- f. $6500\text{g} = \underline{\hspace{2cm}}\text{kg}$
- g. $3350\text{g} = \underline{\hspace{2cm}}\text{kg}$
- h. $55\text{g} = \underline{\hspace{2cm}}\text{kg}$

Volume

- a. $9.5\text{l} = \underline{\hspace{2cm}}\text{ml}$
- b. $7.24\text{l} = \underline{\hspace{2cm}}\text{ml}$
- c. $4.455\text{l} = \underline{\hspace{2cm}}\text{ml}$
- d. $7.9\text{l} = \underline{\hspace{2cm}}\text{ml}$
- e. $5600\text{ml} = \underline{\hspace{2cm}}\text{l}$
- f. $600\text{ml} = \underline{\hspace{2cm}}\text{l}$
- g. $5235\text{ml} = \underline{\hspace{2cm}}\text{l}$
- h. $2250\text{ml} = \underline{\hspace{2cm}}\text{l}$

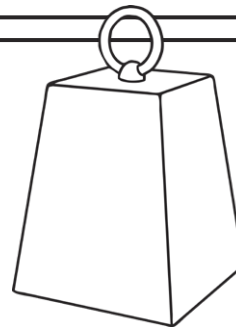
Conversions:

- $1\text{km} = 1000\text{m}$
- $1\text{m} = 100\text{cm}$
- $1\text{cm} = 10\text{mm}$



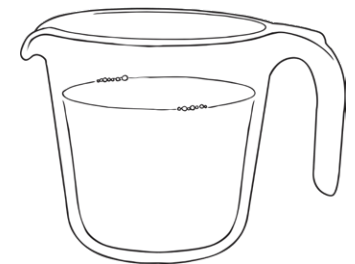
Conversion:

- $1\text{kg} = 1000\text{g}$



Conversion:

- $1\text{l} = 1000\text{ml}$





Practice Your Conversion Skills Answers

Length

- a. $7.824\text{km} = 7824\text{m}$
- b. $6.34\text{km} = 6340\text{m}$
- c. $9.01\text{m} = 901\text{cm}$
- d. $7.8\text{cm} = 78\text{mm}$
- e. $6500\text{m} = 6.5\text{km}$
- f. $375\text{cm} = 3.75\text{m}$
- g. $30\text{cm} = 0.3\text{m}$
- h. $88\text{mm} = 8.8\text{cm}$

Mass

- a. $5.56\text{kg} = 5560\text{g}$
- b. $8.987\text{kg} = 8987\text{g}$
- c. $5.15\text{kg} = 5150\text{g}$
- d. $9.9\text{kg} = 9900\text{g}$
- e. $1670\text{g} = 1.67\text{kg}$
- f. $6500\text{g} = 6.5\text{kg}$
- g. $3350\text{g} = 3.35\text{kg}$
- h. $55\text{g} = 0.055\text{kg}$

Volume

- a. $9.5\text{l} = 9500\text{ml}$
- b. $7.24\text{l} = 7240\text{ml}$
- c. $4.455\text{l} = 4455\text{ml}$
- d. $7.9\text{l} = 7900\text{ml}$
- e. $5600\text{ml} = 5.6\text{l}$
- f. $600\text{ml} = 0.6\text{l}$
- g. $5235\text{ml} = 5.235\text{l}$
- h. $2250\text{ml} = 2.25\text{l}$

Practice Your Conversion Skills

I can convert from one metric unit to another.

Length

- a. $6.124\text{km} = \underline{\hspace{2cm}}\text{m}$
- b. $9.34\text{km} = \underline{\hspace{2cm}}\text{m}$
- c. $14.9\text{m} = \underline{\hspace{2cm}}\text{cm}$
- d. $11.9\text{cm} = \underline{\hspace{2cm}}\text{mm}$
- e. $12\,500\text{m} = \underline{\hspace{2cm}}\text{km}$
- f. $78\text{cm} = \underline{\hspace{2cm}}\text{m}$
- g. $10\,000\text{cm} = \underline{\hspace{2cm}}\text{m}$
- h. $114\text{mm} = \underline{\hspace{2cm}}\text{cm}$

Mass

- a. $13.16\text{kg} = \underline{\hspace{2cm}}\text{g}$
- b. $8.07\text{kg} = \underline{\hspace{2cm}}\text{g}$
- c. $12.1\text{kg} = \underline{\hspace{2cm}}\text{g}$
- d. $9.76\text{kg} = \underline{\hspace{2cm}}\text{g}$
- e. $11\,670\text{g} = \underline{\hspace{2cm}}\text{kg}$
- f. $6200\text{g} = \underline{\hspace{2cm}}\text{kg}$
- g. $350\text{g} = \underline{\hspace{2cm}}\text{kg}$
- h. $7\text{g} = \underline{\hspace{2cm}}\text{kg}$

Volume

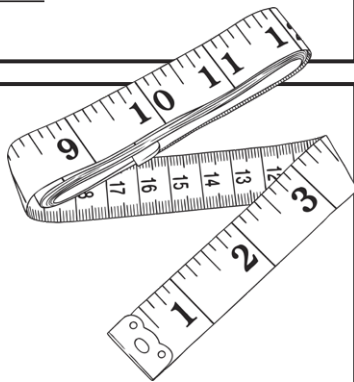
- a. $10.5\text{l} = \underline{\hspace{2cm}}\text{ml}$
- b. $8.29\text{l} = \underline{\hspace{2cm}}\text{ml}$
- c. $13.45\text{l} = \underline{\hspace{2cm}}\text{ml}$
- d. $9.9\text{l} = \underline{\hspace{2cm}}\text{ml}$
- e. $2600\text{ml} = \underline{\hspace{2cm}}\text{l}$
- f. $60\text{ml} = \underline{\hspace{2cm}}\text{l}$
- g. $9235\text{ml} = \underline{\hspace{2cm}}\text{l}$
- h. $10\,001\text{ml} = \underline{\hspace{2cm}}\text{l}$

Conversions:

$$1\text{km} = 1000\text{m}$$

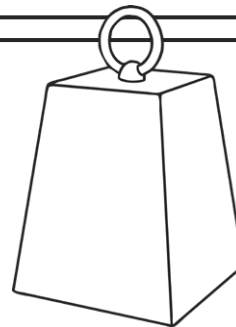
$$1\text{m} = 100\text{cm}$$

$$1\text{cm} = 10\text{mm}$$



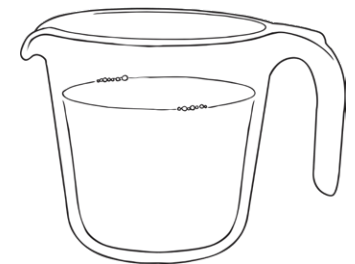
Conversion:

$$1\text{kg} = 1000\text{g}$$



Conversion:

$$1\text{l} = 1000\text{ml}$$





Practice Your Conversion Skills Answers

Length

- a. $6.124\text{km} = 6124\text{m}$
- b. $9.34\text{km} = 9340\text{m}$
- c. $14.9\text{m} = 1490\text{cm}$
- d. $11.9\text{cm} = 119\text{mm}$
- e. $12\,500\text{m} = 12.5\text{km}$
- f. $78\text{cm} = 0.78\text{m}$
- g. $10\,000\text{cm} = 100\text{m}$
- h. $114\text{mm} = 11.4\text{cm}$

Mass

- a. $13.16\text{kg} = 13\,160\text{g}$
- b. $8.07\text{kg} = 8070\text{g}$
- c. $12.1\text{kg} = 12\,100\text{g}$
- d. $9.76\text{kg} = 9760\text{g}$
- e. $11\,670\text{g} = 11.67\text{kg}$
- f. $6200\text{g} = 6.2\text{kg}$
- g. $350\text{g} = 0.35\text{kg}$
- h. $7\text{g} = 0.007\text{kg}$

Volume

- a. $10.5\text{l} = 10\,500\text{ml}$
- b. $8.29\text{l} = 8290\text{ml}$
- c. $13.45\text{l} = 13\,450\text{ml}$
- d. $9.9\text{l} = 9\,900\text{ml}$
- e. $2600\text{ml} = 2.6\text{l}$
- f. $60\text{ml} = 0.06\text{l}$
- g. $9235\text{ml} = 9.235\text{l}$
- h. $10\,001\text{ml} = 10.001\text{l}$